

K09

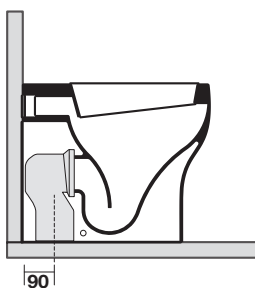
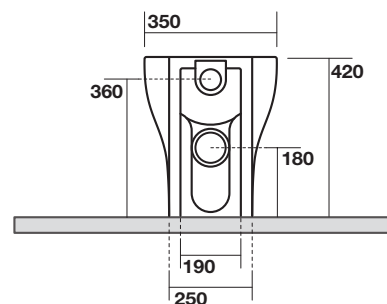
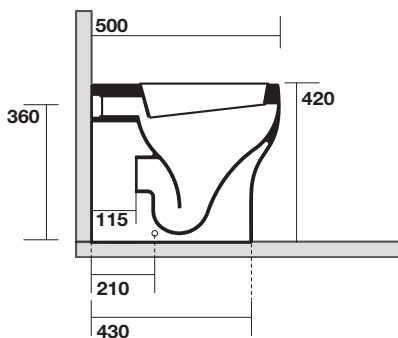
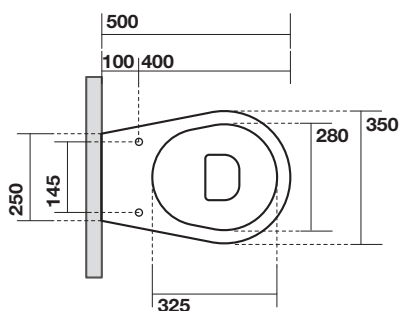
KERASAN

Art. 4516

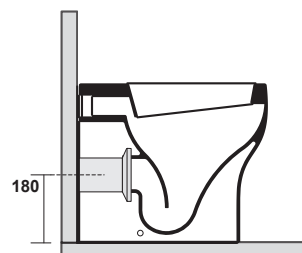
K09 vaso unico cm 50 scarico parete
K09 btw wc pan cm 50 wall outlet

Peso
weight 22,00 kg
22,00 kg

Scarico acqua
Drain 6lt / 3lt
6lt / 3lt



curva tecnica art. 900102
waste pipe art. 900102



raccordo di scarico a parete art. 7539
connector for wall outlet art. 7539